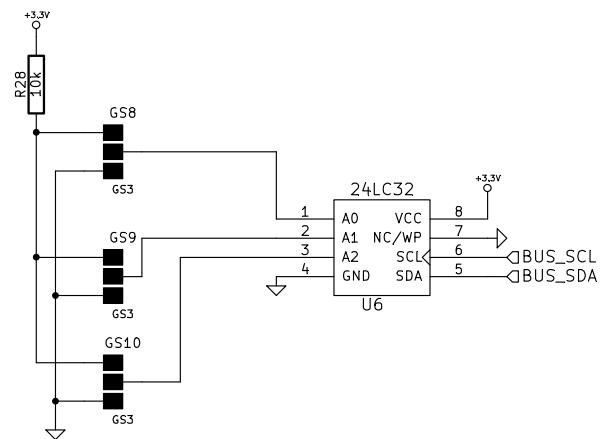


By Nuccio Racthi (modified Antonio Cingolani)
Simplemachines
 File: VGA_Module.sch
 Sheet: /
Title: Propeller addin
 Size: A3 Date: 21 apr 2011
 KiCad E.D.A. eeschema (2011-07-08 BZR 3044)-stable
 Rev: 1.2.2
 Id: 1/2



By Nuccio Raciti (modified Antonio Cingolani)		
Simplemachines		
File: eeprom.sch		
Sheet: /Eeprom/		
Title: Propeller addin		
Size: A4	Date: 21 apr 2011	Rev: 1.2.2
KiCad E.D.A.	eeschema (2011-07-08 BZR 3044)-stable	Id: 2/2